

## DIN Rail Analog Signal Isolated Splitter (one in two out)

### Features:

- >> Accuracy grade: 0.1/0.2/0.5. Factory calibrated, the user can use directly
- >> Auxiliary power supply: 5V/12V/15V/24VDC
- >> Three-isolation: Input/Output/Power Supply
- >> One standard signal input: 0-5V / 0-10V/1-5V, 0-10mA / 0-20mA/4-20mA or 0 - ± 5V/0- ± 10V/0- ± 100mV/0- ± 20mA positive and negative signals
- >> Two standard output signal: 0-5V / 0-10V/1-5V, 0-10mA / 0-20mA/4-20mA or 0 - ± 5V/0- ± 10V/0- ± 100mV/0- ± 20mA positive and negative signals
- >> High linearity (nonlinearity <0.2%)
- >> DIN35 rail mounting
- >> Size: 106.7x79.0x25.0mm
- >> Anti electromagnetic interference and high frequency interference ability



### Application:

- >> Analog signal data isolation, collection and transformation
- >> Isolated 4-20mA or 0-20mA signal transmission
- >> Signal isolation and conversion of industrial site
- >> Long-term signal transfer without distortion
- >> Instrument signal transceiver
- >> Power monitoring, medical equipment isolation
- >> Ground interference suppression
- >> PLC / FA motor control signal isolation Applications:
- >> DC current/voltage signal isolation/transmitter/amplifier

### Selection Guide:

Input Signal				Power Supply		Output Signal			
Voltage	Code	Current	Code	Power	Code	Current	Code	Voltage	Code
0-5V	V1	0-1mA	A1	24VDC	P1	0-20ma	A3	0-5V	V1
0-10V	V2	0-10mA	A2	12VDC	P2	4-20ma	A4	0-10V	V2
0-75mV	V3	0-20ma	A3	5VDC	P3	0-±20mA	A6	1-5V	V6
0-2.5	V4	4-20mA	A4	15VDC	P4	User-defined	Az	0-±10V	V7
0-±5V	V5	0-±10mA	A5	User-defined	Pz			User-defined	Vz
0-±10V	V7	0-±20mA	A6						
0-±100mV	V10	User-defined	Az						
User-defined	Vz								

### Samples:

1. Input: 0-5V    Power Supply: 24V    Output: two 4-20mA    Type No.: DIN12 IAP-V1-P1-A4
2. Input: 0-10V    Power Supply: 24V    Output: 0-10V/4-20mA    Type No.: DIN12 IAP-V2-P1-V2A4
3. Input: 4-20mA    Power Supply: 24V    Output: two 4-20mA    Type No.: DIN12 IAP-A4-P1-A4
4. Input: 0-10V    Power Supply: 24V    Output: two 0-10V    Type No.: DIN12 IAP-V2-P1-V2

**Products Absolute Maximum Ratings:**

Continuous Isolation Voltage: 3000VDC

Junction Temperature: +85 ° C

Storage Temperature: +150 ° C

Lead Temperature: +300 °C (10 sec)

**Note:** If you exceed this range, the product may cause permanent damage.

**General parameter:**

Parameter	Condition	MIN.	TYP.	MAX.	Unit
Impact voltage	3KV, 1.2/50us(peak value)				
Isolation	Input/Power Supply/Output				
Isolation voltage	50Hz,1minute,leak current :1mA		2500		VDC
Operating Temperature		-40		+85	Deg.C
Storage Temperature		-40		+85	Deg.C
Operating Humidity	no condensation	10		90	%
Storage Humidity	no condensation	10		90	%

Note: All specifications measured at TA=25° C, humidity<75%, nominal input voltage and rated output load unless otherwise specified.

**Input parameters:**

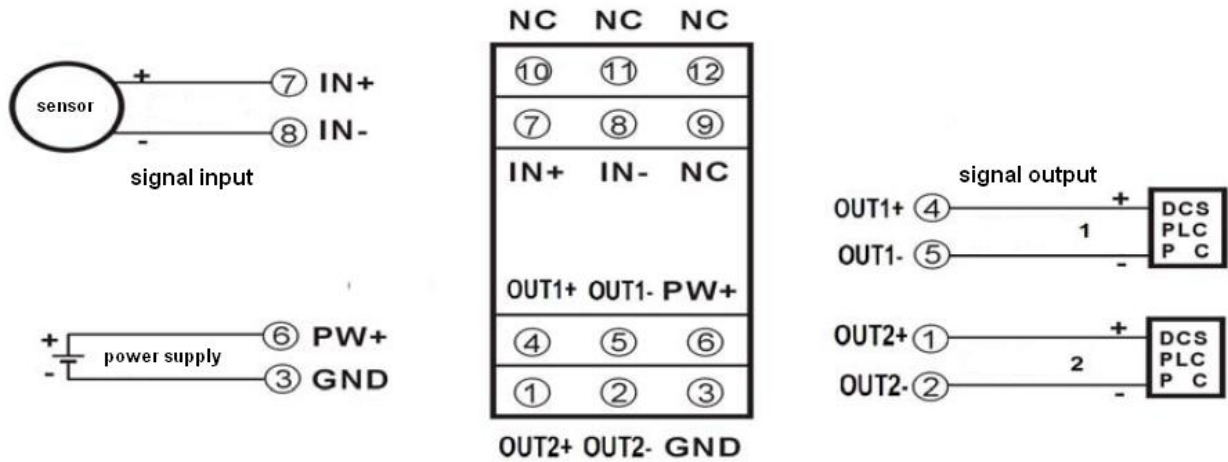
Input item	Input impedance	Power Loss	Input over load
0-5V	≥300KΩ	Vout<0.6W,lout<1.5W	2.0 times Rated: Continuous
0-10V			
0-1mA	1KΩ		1.5 times Rated: Continuous 3.0 times Rated:1S
0-10mA	TYP.:250 Ω		
0-20mA	Or user-defines		
4-20mA			

**Input parameters:**

Output item	Input over load	Response time
4-20mA	≤350Ω(If need others, such as 550Ω, please note or choose our large current products)	≤1mS
0-20mA		
4-20mA		
0-5V	> 2KΩ	
0-10V		
1-5V		

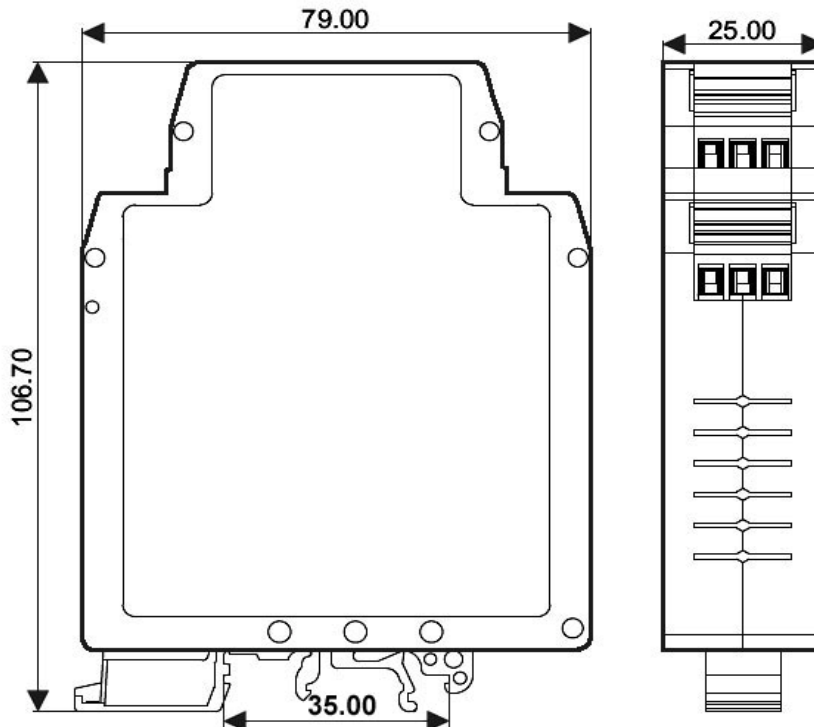
## Footprint Definitions:

PIN	Name	Function	PIN	Name	Function
1	OUT2+	Signal output 2+	7	IN+	Signal input +
2	OUT2-	Signal output 2-	8	IN-	Signal input -
3	GND	Power supply -	9	NC	No connect
4	OUT1+	Signal output 1+	10	NC	No connect
5	OUT1-	Signal output 1-	11	NC	No connect
6	PW+	Power supply +	12	NC	No connect



Wiring Diagram

## Mechanical Dimensions: (unit: mm)



### Note:

1. Before using, according to packing lists, and product labels, check the quantity, models and specifications
2. When measure the signal directly, please set the terminal tighten
3. There are no damaged insulation, conductive dust and corrosive fumes of metal in the environment

4. Installation pitch  $\geq 10\text{mm}$
5. We have adjusted well, do not adjust arbitrarily
6. Warranty: two years. But if clients damage products by themselves or tear off any labels on the product, we can not exchange
7. Products can not been used in strong magnetic field
8. Internal no anti-lightning circuit
9. Specifications subject to change without notice

**Warranty**

Two years (but violate operating rules and requirements to create damage, clients need pay maintenance costs)

**Copyright**

Copyright © 2012 **Shenzhen WAYJUN Industrial Automation**

Specifications subject to change without notice.